



XP95 DUAL IR FLAME DETECTOR

FUNCTION

The XP95 Dual Infra-red (IR) Flame Detector is designed to protect areas where open flaming fires may be expected.

FEATURES

The XP95 Dual IR Flame Detector is sensitive to low-frequency, flickering infra-red radiation emitted by flames during combustion. Since it responds to flickering radiation the XP95 Dual IR Flame Detector can operate even if the lens is contaminated by a layer of oil, dust, water-vapour or ice.

The XP95 Dual IR Flame Detector is set to respond to low-frequency radiation at 1 to 15Hz (1 to 2.7µm) in order to detect all flickering flames, including those invisible to the naked eye, eg, those emitted by hydrogen fires.

The XP95 Dual IR Flame Detector has two IR sensors that respond to different IR wavelengths in order to discriminate between flames and spurious sources of radiation. False alarms due to such factors as flickering sunlight are avoided by a combination of filters and signal processing techniques.

PROTOCOL COMPATIBILITY

The XP95 Dual IR Flame Detector operates only with control equipment using the Apollo XP95 or Discovery digital protocol (or any development of it).



Part no: 55000-280
Shown with Stainless Steel Bracket Part No. 29600-203

ELECTRICAL CONSIDERATIONS

The XP95 Dual IR Flame Detector is loop powered and needs no external supply. A remote LED alarm indicator may be connected to the flame detector.



INVESTOR IN PEOPLE



A HALMA COMPANY

© Apollo Fire Detectors Limited 2001-2007

Overseas offices:

America | China | Germany | Ireland | Spain

36 Brookside Road, Havant,
Hampshire, PO9 1JR, UK.

Tel: +44 (0)23 9249 2412
Fax: +44 (0)23 9249 2754

Email: sales@apollo-fire.co.uk
Web: www.apollo-fire.co.uk

Technical Data

Supply voltage	17–28V DC
Quiescent current	2.2mA
Maximum power-up time	4 seconds
Remote LED current	Limited to 2mA
Range of view (EN54-10)	0.1m ² n-heptane at 25m 0.2m ² n-heptane at 35m 0.4m ² n-heptane at 45m
Field of view	90° cone
Spectral response	1.0 to 2.7µm
Sensitivity	High—Class 1 Low—Class 3
Operating temperature	–10° C to +55° C
Storage temperature	–20° C to +65° C
Relative humidity	95%, non-condensing
IP rating	65
Housing material	die-cast zinc alloy
Housing colour	blue
Dimensions	See Fig 3
Weight	1kg
Cable gland entries	2x20mm

 CE marked

ACCESSORIES

A range of accessories and test equipment is available for the XP95 Dual IR Flame Detector:

Weathershield, part no 29600-206, (see Fig. 5).
Flame Sensor Test Unit and case, part no 29600-226.
Stainless steel 2 axis adjustable mounting bracket, part no 29600-203.

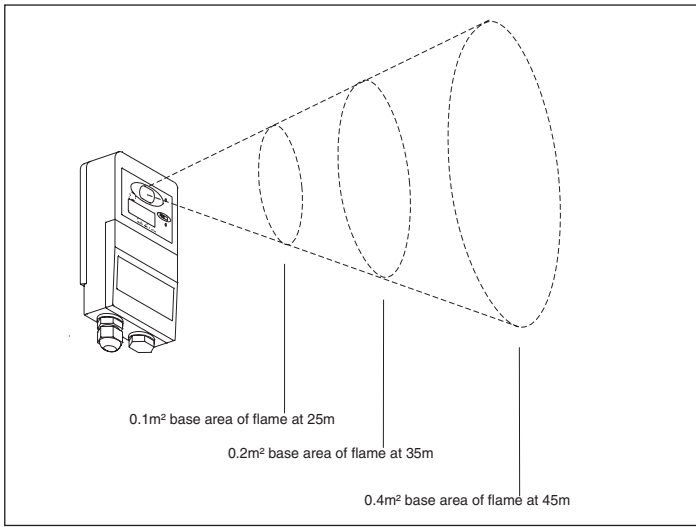


Fig 1
 Flame detection as a function of flame size and distance

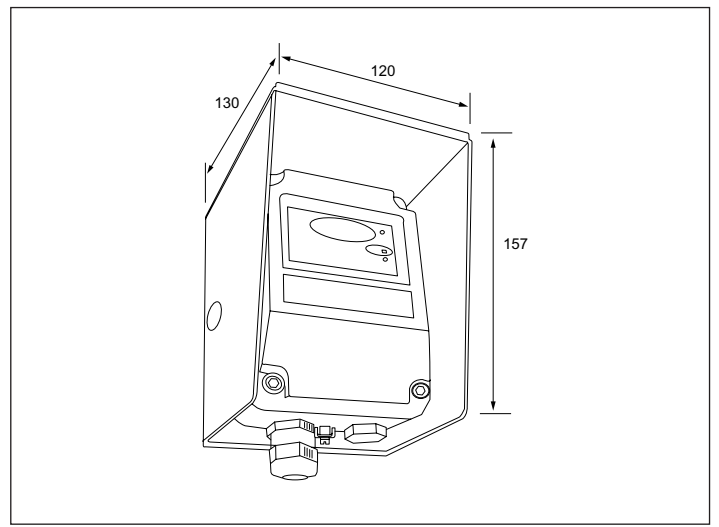


Fig 5 XP95 Dual IR Flame Detector with Weathershield
 (Part no 29600-206)

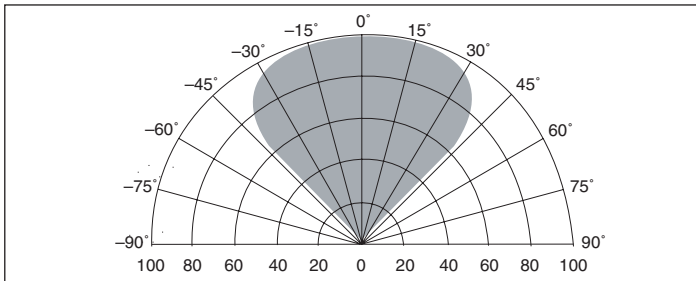


Fig 2 Range of view of XP95 Flame Detector

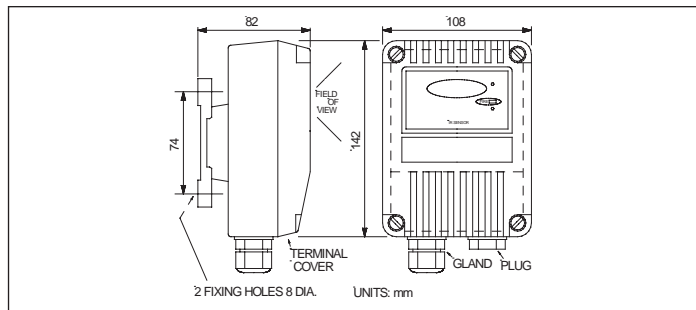


Fig 3 Front and side view to show dimensions of flame detector

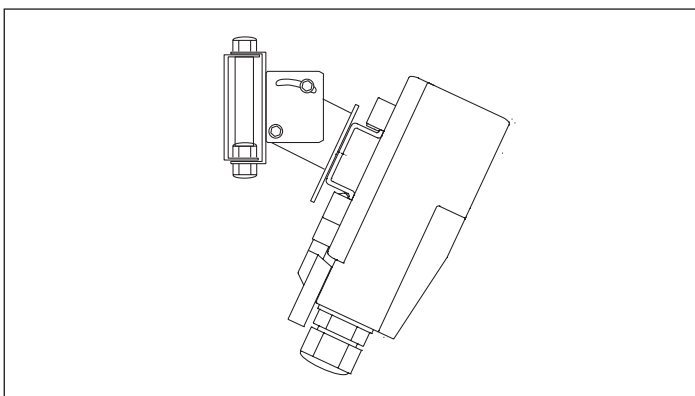


Fig 4 XP95 Dual IR Flame Detector on stainless steel 2 axis
 adjustable mounting bracket (Part no 29600-203)